

WE TEST EVERY PCS!



TURNMOONER

YUEQING ZHENGKUN ELECTRIC CO.,LTD.

Add: XIRENDANG INDUSTRIAL ZONE, LIUSHI,
YUEQING, ZHEJIANG, 325604, CHINA

WhatsApp/Wechat/Mobile: 0086-13588965187

Tel/Fax: 0086-0577-57170461

[Http://www.chnzk.cn](http://www.chnzk.cn)

Email: 215051891@qq.com



TURNMOONER

Circuit Breaker for DIN Rails



YUEQING ZHENGKUN ELECTRIC CO.,LTD.

About Us

Our factory stick to the principle of "quality first, service first, continuous improvement and innovation to meet the customers" for the management and "zero defect, zero complaints" as the quality objective. To perfect our service, we provide the products with good quality at the reasonable price.

Our factory is in accordance with ISO 9000 International Quality System. All Products Have Certificate of Conformity for Electrical Equipment From Government and Have Won The Safety Approvals of CE ,CCC, CB,SGS...etc international Standard Test .

Our factory Continued Adopts International Advanced Technology and Updating Our Products, Have Owned Advanced Equipment of Production, Inspection and Experiment, Powerful Technical Force and The Network System of Sales, Services The World. We Adhere to The Guide of Market and The Principle of Living on Quality, Developing on Credit.

Our factory warmly welcome old&new client to discuss business on the basis of equal and mutual benefit .OEM&ODM is welcome .



CB CE ISO9001 RoHS



CONTENTS

NM1-63 MCB Mini Circuit Breaker	01
NM1-63DC MCB Mini Circuit Breaker	03
NM1-40N MCB Mini Circuit Breaker	05
ZKC2-40(Electronic Type) RCBO RCCB with Overcurrent Protection	06
ZKL4-63(Electronic Type) RCBO RCCB with Overcurrent Protection	07
ZKD1-100 Isolation Switch	08
ZKM1-OF Auxiliary Contact for ZKM1,ZKL2 ZKM1-FB Alarm Auxiliary Contact for ZKM1,ZKL2	09
ZKM1-MX Shunt Release ZKM1-MN+MVOver/Under-voltage Tripper	10
KM7-63 MCB Mini Circuit Breaker	11
ZM3-63 MCB(New type with Indicator) Mini Circuit Breaker	12
ZH-125 MCB Mini Circuit Breaker	13
ZH2-125 Isolation Switch	14
KML1-63 (Electro-magnetic Type) RCCB Residual Current Circuit Breaker	15
Z60 Series Residual Current Circuit Breaker	17
ZF7 Series Residual Current Circuit Breaker	18



Electrical Features

Rated current In	1,2,3,4,6,10,16,20,25,32,40,50,63A
Poles	1P, 1P+N, 2P, 3P, 3P+N,4P
Rated voltage Ue	240/415V
Insulation voltage Ui	500V
Rated frequency	50/60Hz
Rated breaking capacity	6000/10000A
Energy limiting class	3
Rated impulse withstand voltage(1.2/50) Uimp	4,000V
Dielectric test voltage at ind. Freq. for 1 min	2kV
Pollution degree	2
Thermo-magnetic release characteristic	B,C,D

Mechanical Features

Electrical life	8,000
Mechanical life	20,000
Contact position indicator	Yes
Protection degree	IP20
Reference temperature for setting of thermal element	30°C
Ambient temperature (with daily average ≤35°C)	-5°C...+40°C
Storage temperature	-25°C...+70°C

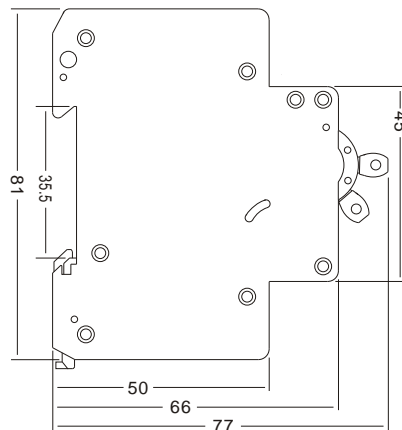
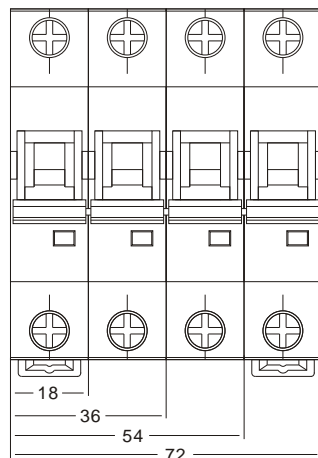
Installation

Terminal connection type	Cable/U-type busbar/Pin-type busbar
Terminal size top/bottom for cable	25mm ² 18-3AWG
Terminal size top/bottom for busbar	25mm ² 18-3AWG
Tightening torque 2.0 N*m 22 In-lbs	
Mounting	On DIN rail EN 60715 (35mm) by means of fast clip device
Connection	From top and bottom

Combination with accessories

Auxiliary contact	Yes
Shunt release	Yes
Under voltage release	Yes
Alarm contact	Yes

Overall and Installation Dimension





Electrical Features

Rated current In:	1,2,3,4,6,10,16,20,25,32,40,50,63A
Poles	1P, 2P, 3P, 4P
Rated voltage Ue	1P(250V), 2P(500V), 3P(750V), 4P(1000V)
Rated frequency	50/60Hz
Rated breaking capacity	6000/10000A
Rated impulse withstand voltage(1.2/50) Uimp	4,000V
Dielectric test voltage at ind. Freq. for 1 min	2kV
Pollution degree	2
Thermo-magnetic release characteristic	C(7~10)In

Mechanical Features

Electrical life	>1500
Mechanical life	20,000
Contact position indicator	Yes
Protection degree	IP20
Reference temperature for setting of thermal element	30°C
Ambient temperature (with daily average ≤35°C)	-5°C...+40°C
Storage temperature	-25°C...+70°C

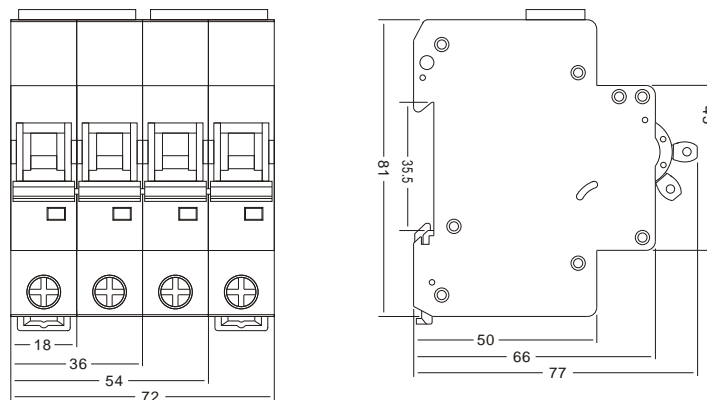
Installation

Terminal connection type:	Cable/U-type busbar/Pin-type busbar
Terminal size top/bottom for cable:	25mm ² 18-3AWG
Terminal size top/bottom for busbar:	25mm ² 18-3AWG
Tightening torque 2.0 N*m 22 In-lbs.	
Mounting:	On DIN rail EN 60715 (35mm) by means of fast clip device
Connection:	From top and bottom

Combination with accessories

Auxiliary contact	Yes
Shunt release	Yes
Under voltage release	Yes
Alarm contact	Yes

Overall and Installation Dimension





Electrical Features

Rated current In	6, 10, 16, 20, 25, 32, 40A
Poles	1P+N
Rated voltage Ue	240/415V
Insulation voltage Ui	500V
Rated frequency	50/60Hz
Rated breaking capacity	4500, 6000A
Energy limiting class	3
Rated impulse withstand voltage(1.2/50) Uimp	4,000V
Dielectric test voltage at ind. Freq. for 1 min	2kV
Pollution degree	2
Thermo-magnetic release characteristic	B, C

Mechanical Features

Electrical life	3,000
Mechanical life	6,000
Protection degree	IP20
Reference temperature for setting of thermal element	30°C
Ambient temperature (with daily average ≤35°C)	-25°C...+70°C
Storage temperature	-5°C...+40°C

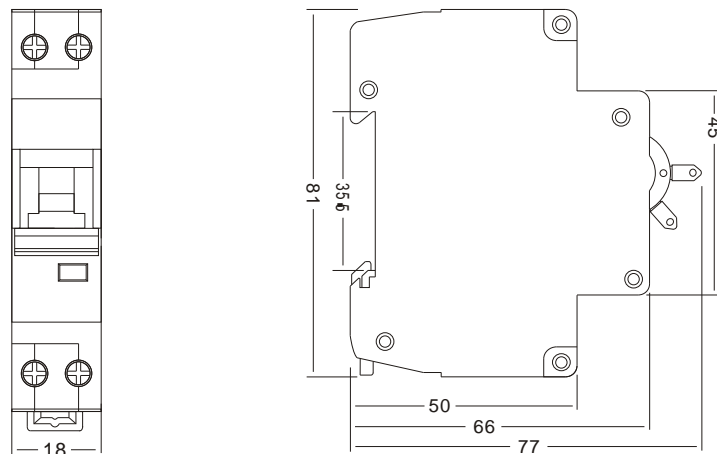
Installation

Terminal size top/bottom for cable	16mm ²
Terminal size top/bottom for busbar	16mm ²
Tightening torque 1.2 N*m	On DIN rail EN 60715 (35mm) by means of fast clip device
Mounting	From top and bottom
Connection	

Combination with accessories

Auxiliary contact	Yes
Shunt release	Yes
Under voltage release	Yes
Alarm contact	Yes

Overall and Installation Dimension





Electrical Features

Type (wave form of the earth leakage sensed)	AC,A
Thermo-magnetic release characteristic	B,C
Rated current I _n	6, 10, 16, 20, 25, 32, 40A
Poles	1P+N
Rated voltage U _e	230/240V
Rated sensitivity I _{Δn}	0.01, 0.03, 0.1, 0.3A
Rated residual making and breaking capacity I _{Δm}	500A
Rated short-circuit capacity I _{cn}	6000A
Break time under I _{Δn}	≤0.1s
Rated frequency	50/60Hz
Rated impulse withstand voltage (1.2/50)U _{imp}	4,000V
Dielectric test voltage at ind. Freq. for 1min	2kV
Insulation voltage U _i	300V
Pollution degree	2

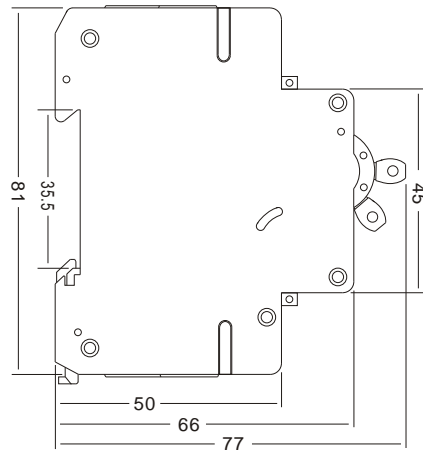
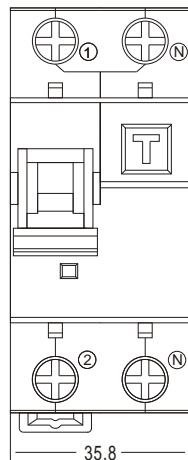
Mechanical Features

Electrical life	2,000
Mechanical life	2,000
Contact position indicator	Yes
Protection degree	IP20
Ambient temperature (with daily average ≤35°C)	-5°C...+40°C
Storage temperature	-25°C...+70°C

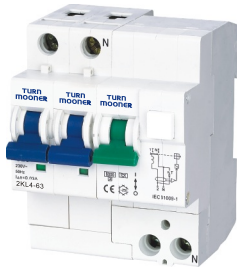
Installation

Terminal connection type	Cable/Pin-type busbar
Terminal size top/bottom for cable	16mm ² 18-5AWG
Terminal size top/bottom for busbar	16mm ² 18-5AWG
Tightening torque 2.0 N*m 11In-lbs.	On DIN rail EN 60715 (35mm) by means of fast clip device
Mounting	
Connection	From top

Overall and Installation Dimension



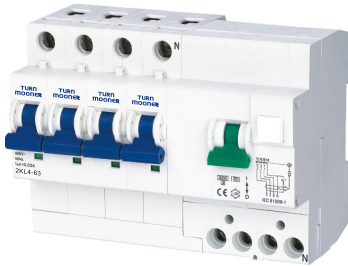
Electrical Features



Type (wave form of the earth leakage sensed)	AC,A
Thermo-magnetic release characteristic	B,C
Rated current In MCB+add-on RCD block	6, 10, 16, 20, 25, 32, 40, 50, 63A
Poles	2P(1P+N), 4P (3P+N)
Rated voltage Ue	240/415V
Rated sensitivity I Δ n MCB+add-on RCD block	0.03, 0.1, 0.3A
Rated residual making and breaking capacity I Δ m	500A(In \leq 40A) 630(In $>$ 40A)
Rated short-circuit capacity Icn	4,500/6,000A
Break time under I Δ n	\leq 0.1s
Rated frequency	50/60Hz
Rated impulse withstand voltage (1.2/50)Uimp	4,000V
Dielectric test voltage at ind. Freq. for 1min	2kV
Insulation voltage Ui	500V
Pollution degree	2

Mechanical Features

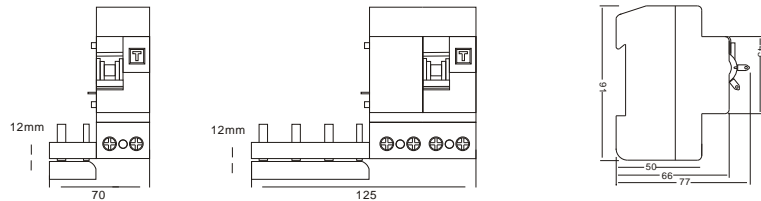
Contact position indicator	Yes
Protection degree	IP20
Ambient temperature (with daily average \leq 35 $^{\circ}$ C)	-5 $^{\circ}$ C...+40 $^{\circ}$ C
Storage temperature	-25 $^{\circ}$ C...+70 $^{\circ}$ C



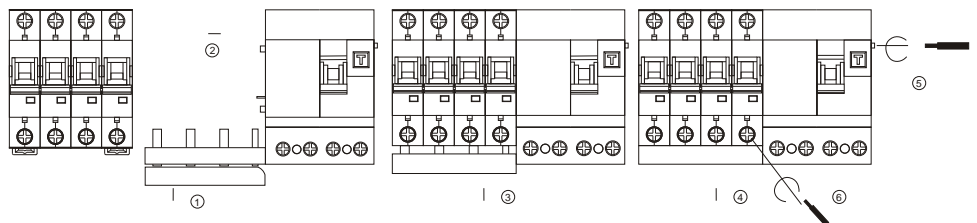
Installation

Terminal connection type	Cable/U-type busbar/Pin-type busbar
Terminal size top/bottom for cable	25mm ² 18-3AWG
Terminal size top/bottom for busbar	25mm ² 18-3AWG
Tightening torque 2 N*m 18In-lbs.	On DIN rail EN 60715 (35mm) by means of fast clip device
Mounting	
Connection	From top and bottom (for combined type)
From top (MCB+add-on RCD block)	

Overall and Installation Dimension



Installation instructions (mm)



Electrical Features



Rated voltage U_e	240/415V
Rated current I_e	32, 40, 50, 63, 80, 100A
Rated frequency	50/60Hz
Rated impulse withstand voltage $(1.2/50)U_{imp}$	4,000V
Rated short-time withstand current I_{cw}	12 I_e , 1s
Rated making and breaking capacity	3 I_e , 1.05 U_e , $\cos\phi=0.65$
Rated short circuit making capacity	20 I_e , $t=0.1s$
Dielectric test voltage at ind. Freq. for 1min	2.5kV
Insulation voltage U_i	500V
Pollution degree	2
Utilization category	AC-22A

Mechanical Features



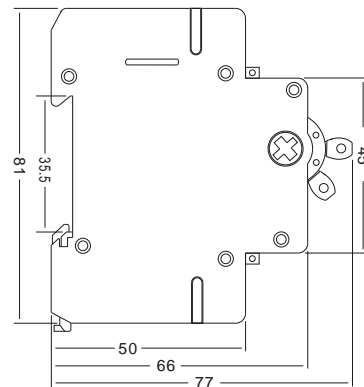
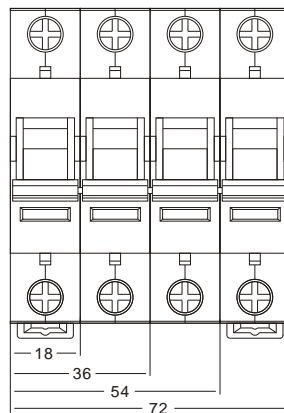
Electrical life	1,500
Mechanical life	8,500
Protection degree	IP20
Ambient temperature (with daily average $\leq 35^\circ C$)	$-5^\circ C \dots +40^\circ C$
Storage temperature	$-25^\circ C \dots +70^\circ C$

Installation



Terminal connection type	Cable/U-type busbar/Pin-type busbar
Terminal size top/bottom for cable	50mm ² 18-1/0AWG
Terminal size top/bottom for busbar	50mm ² 18-1/0AWG
Tightening torque 2.5 N*m 22In.-lbs.	
Connection	From top and bottom

Overall and Installation Dimension





Electrical Features

Rated value	A C415/400V 50/60Hz 3A AC240 /400V 50/60Hz 3A DC130V 1A DC48V 2A DC24V 6A
Configurations	EKM1-OF 1N/O+1N/C EKM1-FB 1N/O+1N/C
Rated impulse withstand voltage (1.2/50)Uimp	4,000V
Rated short circuitmaking capacity	20Ie, t=0.1s
Dielectric test voltage at ind. Freq. for 1min	2kV
Insulation voltage Ui	500V
Pollution degree	2

Mechanical Features

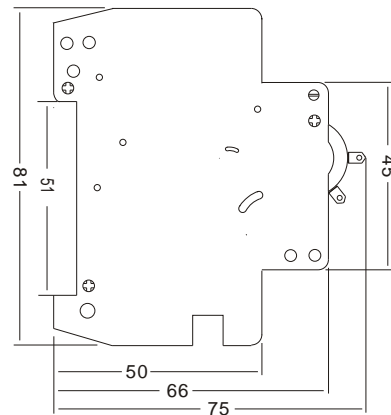
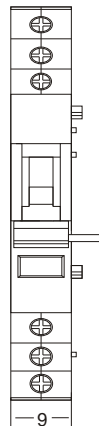
Electrical life	6,000
Mechanical life	10,000
Protection degree	IP20
Ambient temperature (with daily average ≤35°C)	-5°C...+40°C
Storage temperature	-25°C...+70°C



Installation

Terminal connection type	Cable
Terminal size top/bottom for cable	2.5mm ² 18-13AWG
Tightening torque 0.8 N*m 7In-lbs.	

Overall and Installation Dimension





Electrical Features
EKM1-MX

Rated voltage US(V)	AC230/400 50/60Hz DC24 DC48 AC24 50/60Hz
Rated impulse withstand voltage (1.2/50)Uimp	4,000V
Rated short circuitmaking capacity	20Ie, t=0.1s
Dielectric test voltage at ind. Freq. for 1min	2kV
Insulation voltage Ui	500V
Pollution degree	2

EKM1-MN+MV

Rated voltage (Ue)	AC230V
Rated insulating voltage(Ui)	500V
Over-voltage tripping range	280V±5%
Under-voltage tripping range	170V±5%

Mounted on the right side of circuit breaker, actuate the combined device to trip in case of under-voltage or over-voltage, effectively prevent the device from closing operation under abnormal power voltage condition.



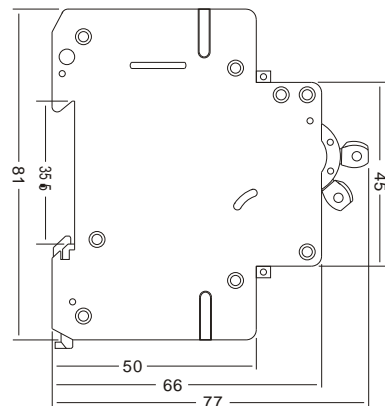
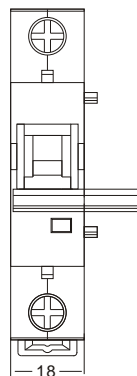
Mechanical Features

Electrical life	4,000
Mechanical life	4,000
Protection degree	I P20
Ambient temperature (with daily average≤35°C)	-5°C...+40°C
Storage temperature	-25°C...+70°C

Installation

Terminalconnection type	Cable
Terminal size top/bottom for cable	2.5mm ² 18-13AWG
Tightening torque0.8 N*m 7In-lbs.	

Overall and Installation Dimension



Electrical Features



Rated current In	1,2,3,4,6,10,16,20,25,32,40,50,63A
Poles	1P, 1P+N, 2P, 3P, 3P+N,4P
Rated voltage Ue	240/415V
Insulation voltage Ui	500V
Rated frequency	50/60Hz
Rated breaking capacity	6000A
Energy limiting class	3
Rated impulse withstand voltage(1.2/50) Uimp	4000V
Dielectric test voltage at ind. Freq. for 1 min	2kV
Pollution degree	2
Thermo-magnetic release characteristic	B,C,D

Mechanical Features



Electrical life	4,000
Mechanical life	10,000
Contact position indicator	Yes
Protection degree	IP20
Reference temperature for setting of thermal element	30°C
Ambient temperature (with daily average ≤35°C)	-5°C...+40°C
Storage temperature	-25°C...+70°C

Installation

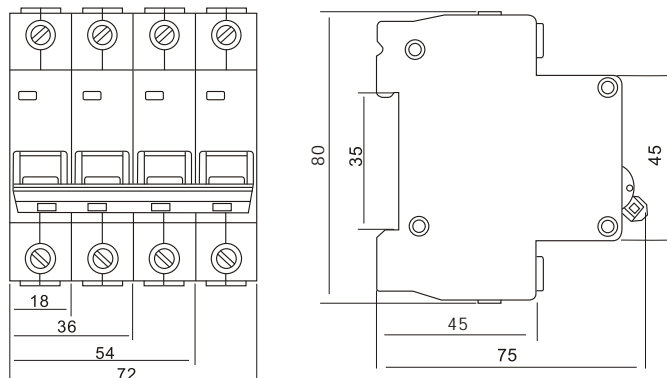


Terminal connection type	Cable/Pin-type busbar
Terminal size top/bottom for cable	25mm ²
Terminal size top/bottom for busbar	25mm ²
Tightening torque 2.0 N*m	
Mounting	On DIN rail EN 60715 (35mm) by means of fast clip device
Connection	From top and bottom

Combination with accessories

Auxiliary contact	Yes
Shunt release	Yes
Under voltage release	Yes
Alarm contact	Yes

Overall and Installation Dimension



Electrical Features



Rated current In	1,2,3,4,6,10,16,20,25,32,40,50,63A
Poles	1P, 1P+N, 2P, 3P, 3P+N,4P
Rated voltage Ue	240/415V
Insulation voltage Ui	500V
Rated frequency	50/60Hz
Rated breaking capacity	4500A
Energy limiting class	3
Rated impulse withstand voltage(1.2/50) Uimp	4000V
Dielectric test voltage at ind. Freq. for 1 min	2kV
Pollution degree	2
Thermo-magnetic release characteristic	B,C,D

Mechanical Features



Electrical life	4,000
Mechanical life	10,000
Contact position indicator	Yes
Protection degree	IP20
Reference temperature for setting of thermal element	30°C
Ambient temperature (with daily average $\leq 35^{\circ}\text{C}$)	$-5^{\circ}\text{C} \dots +40^{\circ}\text{C}$
Storage temperature	$-25^{\circ}\text{C} \dots +70^{\circ}\text{C}$

Installation

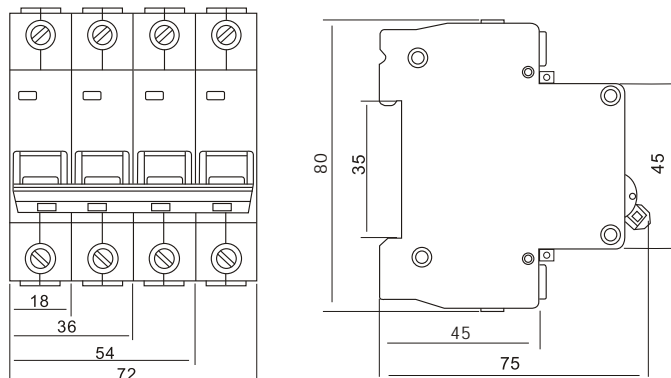


Terminal connection type	Cable/Pin-type busbar
Terminal size top/bottom for cable	25mm ²
Terminal size top/bottom for busbar	25mm ²
Tightening torque 2.0 N*m	
Mounting	On DIN rail EN 60715 (35mm) by means of fast clip device
Connection	From top and bottom

Combination with accessories

Auxiliary contact	Yes
Shunt release	Yes
Under voltage release	Yes
Alarm contact	Yes

Overall and Installation Dimension



Electrical Features

Rated current In	63,80,100,125A
Poles	1P, 2P, 3P, 4P
Rated voltage Ue	240/415V
Insulation voltage Ui	500V
Rated frequency	50/60Hz
Rated breaking capacity	6000A
Energy limiting class	3
Rated impulse withstand voltage(1.2/50) Uimp	4,000V
Dielectric test voltage at ind. Freq. for 1 min	2kV
Pollution degree	2
Thermo-magnetic release characteristic	C,D



Mechanical Features

Electrical life	4,000
Mechanical life	10,000
Contact position indicator	Yes
Protection degree	IP20
Reference temperature for setting of thermal element	30°C
Ambient temperature (with daily average $\leq 35^\circ\text{C}$)	$-5^\circ\text{C} \dots +40^\circ\text{C}$
Storage temperature	$-25^\circ\text{C} \dots +70^\circ\text{C}$



Installation

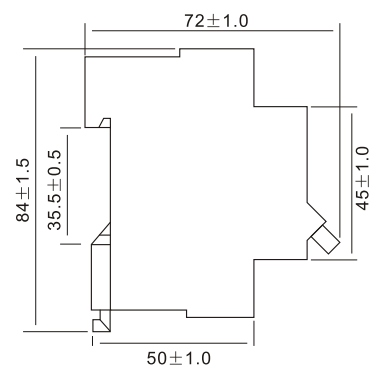
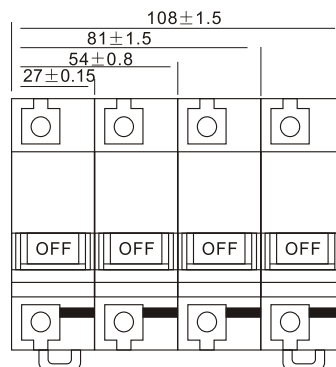
Terminal connection type	Pin-type busbar
Terminal size top/bottom for cable	35mm ²
Terminal size top/bottom for busbar	35mm ²
Tightening torque 2.5 N*m	
Mounting	On DIN rail EN 60715 (35mm) by means of fast clip device
Connection	From top and bottom



Combination with accessories

Auxiliary contact	Yes
Shunt release	Yes
Under voltage release	Yes
Alarm contact	Yes

Overall and Installation Dimension



Electrical Features

Rated voltage Ue	240/415V
Rated current Ie	32, 40, 50, 63, 80, 100, 125A
Poles	1P, 2P, 3P, 4P
Rated frequency	50/60Hz
Rated impulse withstand voltage (1.2/50)Uimp	4,000V
Rated short-time withstand current Icw	12Ie, 1s
Rated making and breaking capacity	3Ie, 1.05Ue, cosΦ=0.65
Rated short circuit making capacity	20Ie, t=0.1s
Dielectric test voltage at ind. Freq. for 1min	2.5kV
Insulation voltage Ui	500V
Pollution degree	2
Utilization category	AC-22A



Mechanical Features

Electrical life	1,500
Mechanical life	8,500
Protection degree	IP20
Ambient temperature (with daily average ≤35°C)	-5°C...+40°C
Storage temperature	-25°C...+70°C

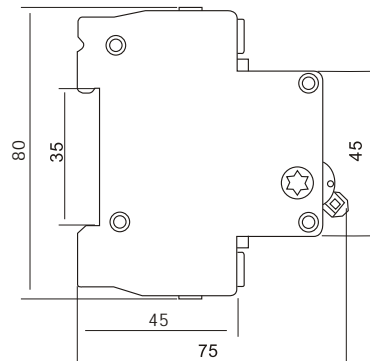
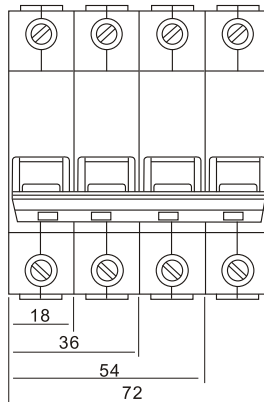


Installation

Terminal connection type	Cable/Pin-type busbar
Terminal size top/bottom for cable	50mm ²
Terminal size top/bottom for busbar	50mm ²
Tightening torque 2.5 N*m	
Connection	From top and bottom




Overall and Installation Dimension





Electrical Features

Type (wave form of the earth leakage sensed)	AC,A,AC~S,A~S
Rated current I_n	25, 40, 50, 63A
Poles	2P, 4P
Rated voltage U_e	240/415V
Rated sensitivity $I_{\Delta n}$	0.03, 0.1, 0.3A
Insulation voltage U_i	500V
Rated residual making and breaking capacity $I_{\Delta m}$	500A($I_n=25A/40A$) 630A($I_n=50/63A$)
Short-circuit current $I_{nc}=I_{\Delta c}$	4500/6000A
SCPD fuse	 6000
Break time under $I_{\Delta n}$	$\leq 0.1s$
Rated frequency	50/60Hz
Rated impulse withstand voltage $(1.2/50)U_{imp}$	4,000V
Dielectric test voltage at ind. Freq. for 1min	2.5kV
Pollution degree	2



Mechanical Features

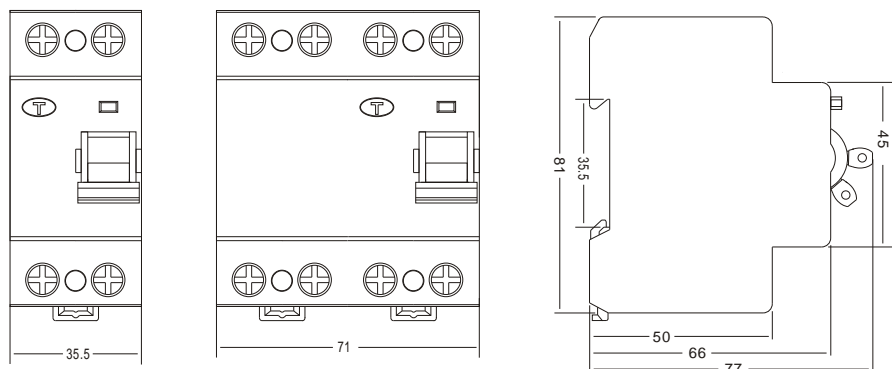
Electrical life	2,000
Mechanical life	2,000
Fault current indicator	Yes
Protection degree	IP20
Ambient temperature (with daily average $\leq 35^\circ C$)	$-5^\circ C \dots +40^\circ C$
Storage temperature	$-25^\circ C \dots +70^\circ C$



Installation

Terminal connection type	Cable/U-type busbar/Pin-type busbar
Terminal size top/bottom for cable	25mm ² 18-3AWG
Terminal size top/bottom for busbar	25mm ² 18-3AWG
Tightening torque 2.5 N*m 18In-lbs.	
Mounting	On DIN rail EN 60715 (35mm) by means of fast clip device
Connection	From top and bottom

Overall and Installation Dimension



Application

Z60 series Residual current breaker (without over-current protection) is suitable for the line of AC 50/60Hz, voltage 240V(2pole)/415V(4pole), rated current up to 63A. When there is human electricity shock or if the leakage current of the line exceeds the prescribed value, it will cut off the power rapidly to protect human safety and prevent the accident due to the current leakage.

It can be used as infrequent changeover of the line in normal situation. It is applicable to industrial area, commercial area, tall building and civil house.

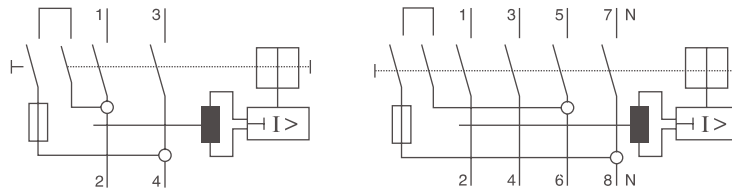
It complies with standard IEC/EN61008.1 and GB16916.1



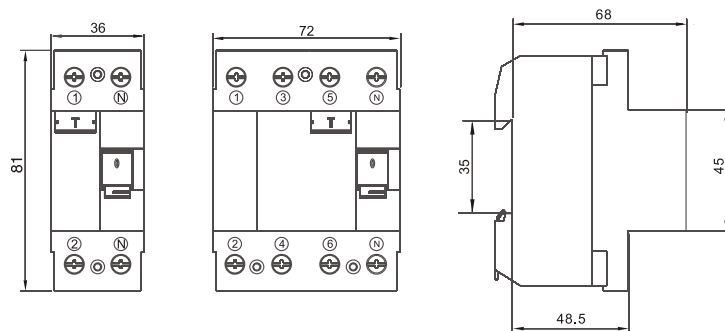
Basic Specification and Main Parameters

Frame Class	63A
Rated Working Voltage	240/415V
Rated Frequency	50/60Hz
Rated Working Current	16, 25, 40, 63A
Rated Residual Operating Current	0.03, 0.1, 0.3, 0.5A
Rated Residual Un-operating Current	0.015, 0.05, 0.15, 0.25A
Sensitivity	A & AC Type
Maximum Operating Time	$I_{\Delta nt} \leq 0.1s$, $5I_{\Delta nt} \leq 0.04s$
Rated Making And Breaking Capacity	$I_n \leq 50A$ 500A, $I_n \leq 63A$ 630A
Limiting Value Of Un-operating Current	6In
Rated Limiting Short-circuit Current	3000A
Pole Number	2P, 4P
Mechanical Life	10000
Electric Life	4000

Operation Principle Figure



Dimension



Application

ZF7 series Residual current breaker (without over-current protection) is suitable for the line of AC 50/60Hz, voltage 240V(2pole)/415V(4pole), rated current up to 63A. When there is human electricity shock or if the leakage current of the line exceeds the prescribed value, it will cut off the power rapidly to protect human safety and prevent the accident due to the current leakage. It can be used as infrequent changeover of the line in normal situation. It is applicable to industrial area, commercial area, tall building and civil house.

It complies with standard IEC/EN61008.1 and GB16916.1

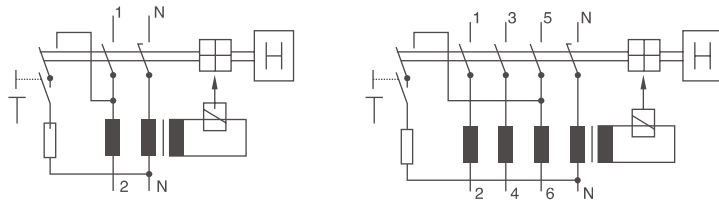


Basic Specification and Main Parameters

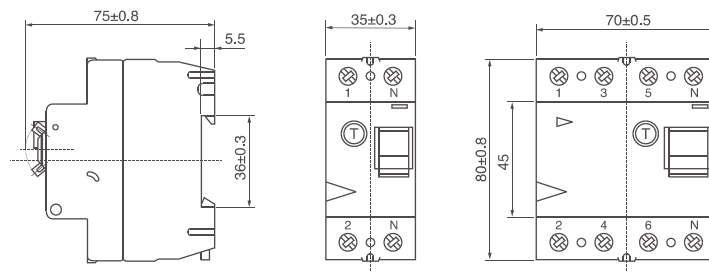
Frame class	63A
Rated working voltage	240/415V
Rated frequency	50/60Hz
Rated working current	16, 25, 40, 63A
Rated residual operating current	0.03, 0.1, 0.3, 0.5A
Rated residual un-operating current	0.015, 0.05, 0.15, 0.25A
Sensibility	A & AC Type
Maximum operating time	$I_{\Delta nt} \leq 0.1s$, $5I_{\Delta nt} \leq 0.04s$
Rated making and breaking capacity	$I_n \leq 50A$ 500A, $I_n \leq 63A$ 630A
Limiting value of un-operating current	6I _n
Rated limiting short-circuit current	10000A
Pole number	2P, 4P
Mechanical life	20000
Electric life	4000



Operation Principle Figure



Dimension



Application



ZL2 series Residual current breaker (without over-current protection) is suitable for the line of AC 50/60Hz, voltage 240V(2pole)/415V(4pole), rated current up to 63A. When there is human electricity shock or if the leakage current of the line exceeds the prescribed value, it will cut off the power rapidly to protect human safety and prevent the accident due to the current leakage.

It can be used as infrequent changeover of the line in normal situation. It is applicable to industrial area, commercial area, tall building and civil house.

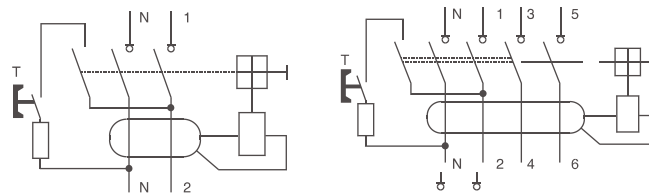
It complies with standard IEC/EN61008.1 and GB16916.1

Basic Specification and Main Parameters

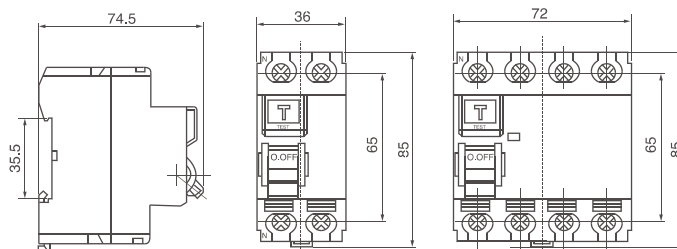


Frame class	63A
Rated working voltage	240/415V
Rated frequency	50/60Hz
Rated working current	16, 25, 40, 63A
Rated residual operating current	0.03, 0.1, 0.3, 0.5A
Rated residual un-operating current	0.015, 0.05, 0.15, 0.25A
Sensibility	A & AC Type
Maximum operating time	$I_{\Delta nt} \leq 0.1s$, $5I_{\Delta nt} \leq 0.04s$
Rated making and breaking capacity	$I_n \leq 50A$ 500A, $I_n \leq 63A$ 630A
Limiting value of un-operating current	6In
Rated limiting short-circuit current	6000A
Pole number	2P, 4P
Mechanical life	20000
Electric life	4000

Operation Principle Figure



Dimension



TURNMOONER ZF360 Series Residual Current Circuit Breaker

Application



ZF360 series Residual current breaker (without over-current protection) is suitable for the line of AC 50/60Hz, voltage 240V(2pole)/415V(4pole), rated current up to 63A. When there is human electricity shock or if the leakage current of the line exceeds the prescribed value, it will cut off the power rapidly to protect human safety and prevent the accident due to the current leakage. It can be used as infrequent changeover of the line in normal situation. It is applicable to industrial area, commercial area, tall building and civil house.

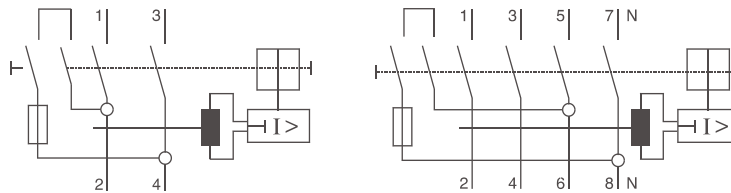
It complies with standard IEC/EN61008.1 and GB16916.1

Basic Specification and Main Parameters



Frame class	63A
Rated working voltage	240/415V
Rated frequency	50/60Hz
Rated working current	16, 25, 40, 63A
Rated residual operating current	0.03, 0.1, 0.3, 0.5A
Rated residual un-operating current	0.015, 0.05, 0.15, 0.25A
Sensibility	A & AC Type
Maximum operating time	$I_{\Delta nt} \leq 0.1s$, $5I_{\Delta nt} \leq 0.04s$
Rated making and breaking capacity	$I_n \leq 50A$ 500A, $I_n \leq 63A$ 630A
Limiting value of un-operating current	6In
Rated limiting short-circuit current	3000A
Pole number	2P, 4P
Mechanical life	10000
Electric life	4000

Operation Principle Figure



Dimension

